



GOSHU KOHSAN CO., LTD
www.goshukohsan.com

Mixed-Bed Unit : AMS Type

Simple Operation with Automatic Regeneration System

Introduction

AMS type of mixed-bed resin unit has been designed with the concept of simple and effective operation with automatic service and regeneration under programmable logic controller with automatic pneumatic valve. In addition, it is combined with a chemical feeding unit of hydrochloric acid and caustic soda regenerants. The mixed-bed resin unit also contains a strongly acidic cation exchange resin and a strongly basic anion exchange resin, mixed in one column to produce the high quality of deionized water, which is applied for use to a variety of industries.

Features

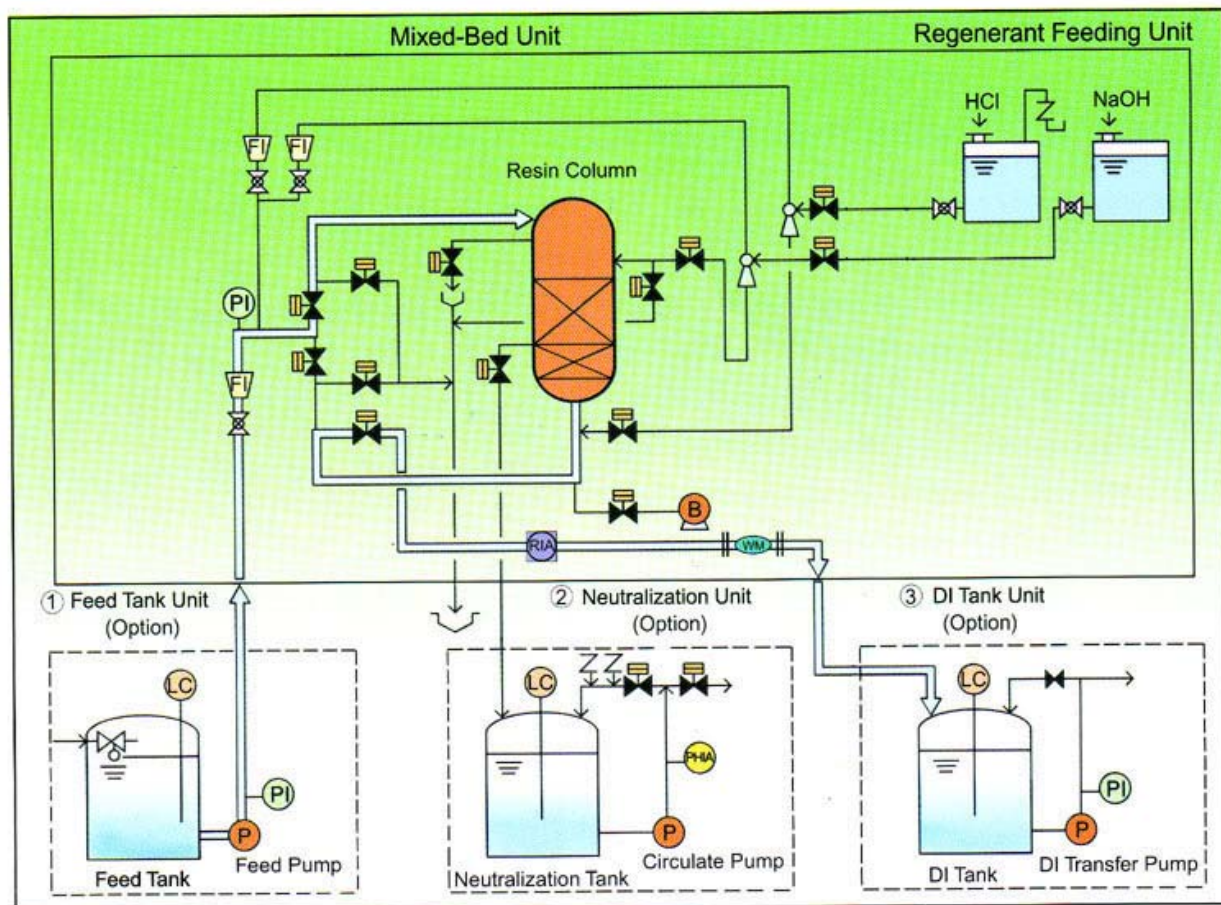
- Produce high quality of deionized water of less than or equal to 1 MΩ·cm
- Easy and simple operation with automatic pneumatic valve
- Complete mixing of resins with air source
- Lining with rubber inside the resin columns for corrosive prevention
- Control automatic regeneration procedure with programmable logic controller
- Use high grade of both cation and anion resins



Applications

1. Electronic Industry
2. Pharmaceutical Industry
3. Food Industry
4. Research-Laboratory
5. Medical Use
6. Supply Water for Boiler
7. Others

Automatic Regeneration Mixed-Bed Unit : AMS Type



Specification List

Model	Service	Tank	Straight	Resin Volume		Chemical Consumption		Unit Dimension (W X D X H)	Weight	
	Flow (m ³ /Hr)	Diameter (mm)		Height (mm)	Cation (L)	Anion (L)	35%HCl (Kg)		50%NaOH (Kg)	Product (Kg)
AMS-25	1-2	250	1825	20	30	5.7	6.0	1950 x 1000 x 2550	285	475
AMS-35	3-4	350	1825	35	65	10.0	13.0	1950 x 1000 x 2550	355	630
AMS-43	5-6	430	1825	50	100	14.3	20.0	2150 x 1000 x 2550	490	885
AMS-53	7-9	530	1825	85	165	24.3	33.0	2200 x 1200 x 2550	690	1270
AMS-58	10-11	580	1825	100	200	28.6	40.0	2500 x 1200 x 2550	785	1465
AMS-67	12-14	675	1825	135	265	38.6	53.0	2500 x 1450 x 2550	975	1820
AMS-77	15-20	770	1825	170	330	48.6	66.0	2600 x 1450 x 2550	1110	2145

Remark : Scope ➡ Resistivity indicating alarm, water meter
 Out of Scope ➡ Neutralization unit, compressed air

- * Baby compressor with 0.2 kW or compressed air is supplied for pneumatic valve.
- * Air blower with pressure of 3,000 - 4,000 mmAq is used for mixing the resin.
- * The maximum conductivity of feed inlet will be recommended at 50 μ S/cm.
- * Wide range of product besides above items are available.
- * All designs and specifications will be subject to change with or without prior notice.